

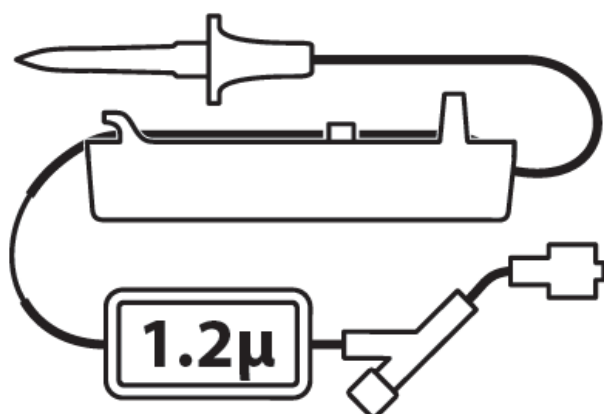
REF **21-7343-24**

CADD[®]

CADD[®] Administration Set

with bag spike, flow stop, 1.2 μ air-eliminating filter, clamp, Luer activated needleless injection site and one-way checkvalve with male Luer

For use with CADD[®] pumps (except CADD-MS[®] 3 pumps).



290 cm / 114 in.
14 mL



STERILE EO



Rx **CE**
ONLY 2797

 **Manufacturer:**
Smiths Medical ASD, Inc.
6000 Nathan Lane North
Minneapolis, MN 55442 USA
Tel: 1 800 258 5361 (US/CA)
Tel: +1 614 210 7300

EC REP **European Representative:**
Smiths Medical Czech Republic a. s.
Olomoucká 306, Hranice 1 - Město,
753 01 Hranice, Czech Republic
Tel: +44 (0)1233 722100

www.smiths-medical.com

ASSEMBLED IN MEXICO

2019-11
10018059-001

smiths medical